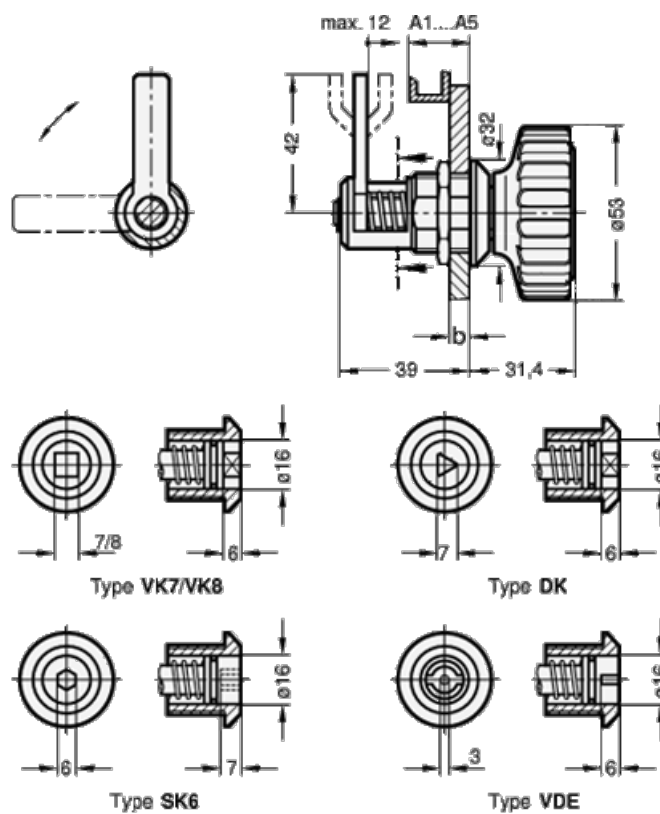


Article number: 201161VDEA3

Description: E+G Door lock GN 116.1-VDE-A3
VDE with double bit

Measures



b max = 12
Door + frame thickness = 19-31